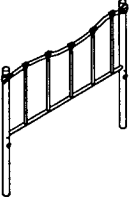
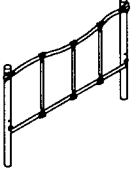
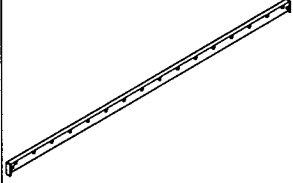
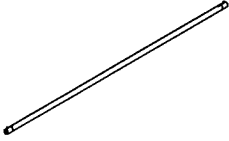
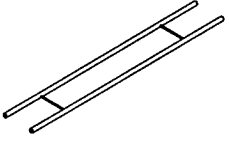
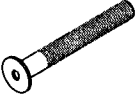




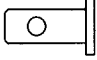

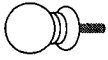


AMELIA SINGLE BED - ASSEMBLY INSTRUCTION

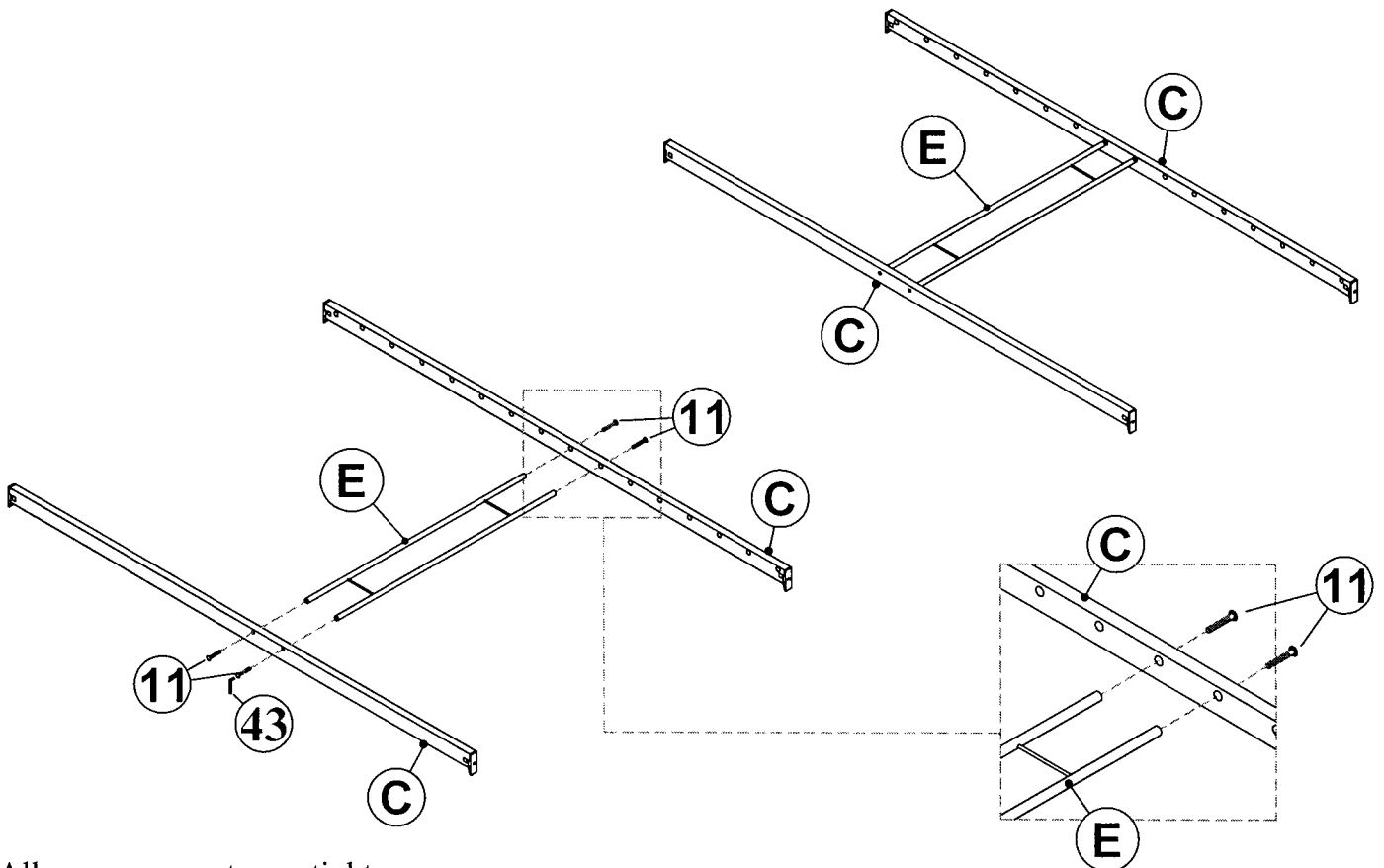
PARTS LIST :

A - 1 pc 	B - 1 pc 	C - 2 pcs 	D - 14 pcs 	E - 1 pcs 
---	---	--	--	--

FITTINGS :

76 - SCREW M8x80MM - 4 pcs 	11 - SCREW M6x20MM - 4 pcs 	73 - BUTTON - 5 pcs 	42- M5 ALLEN KEY - 1 pc 	43- M4 ALLEN KEY - 1 pc 
25 - 4 pcs 	38 - STOPPER - 4 pcs. 	F - METAL KNOB - 4 pcs.  Ø38		

1

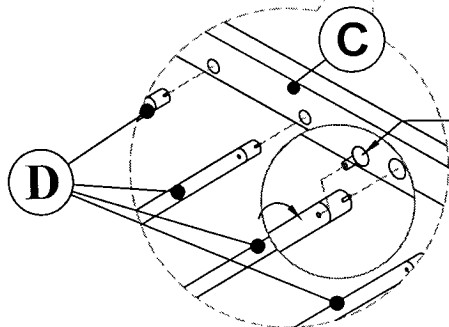
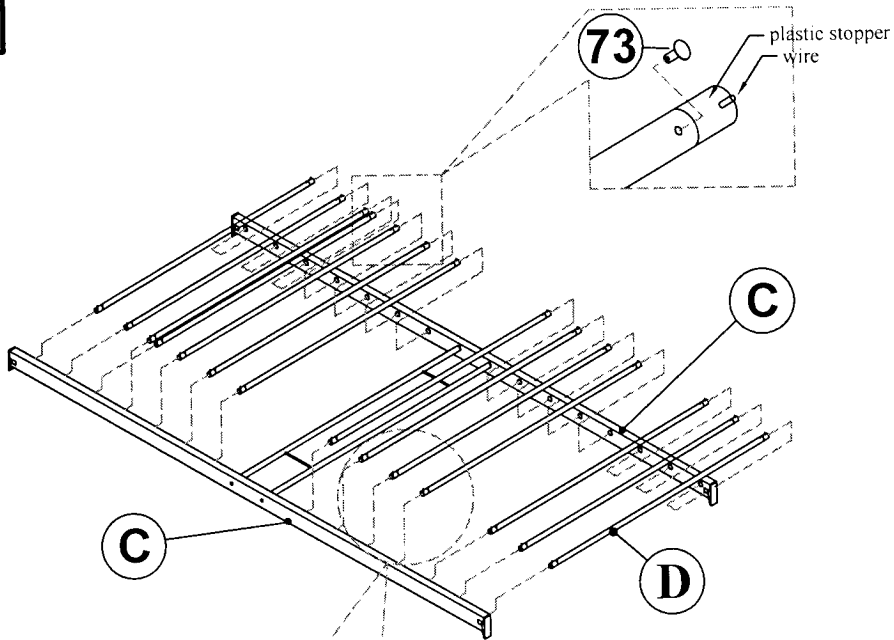


All screws are not over tighten

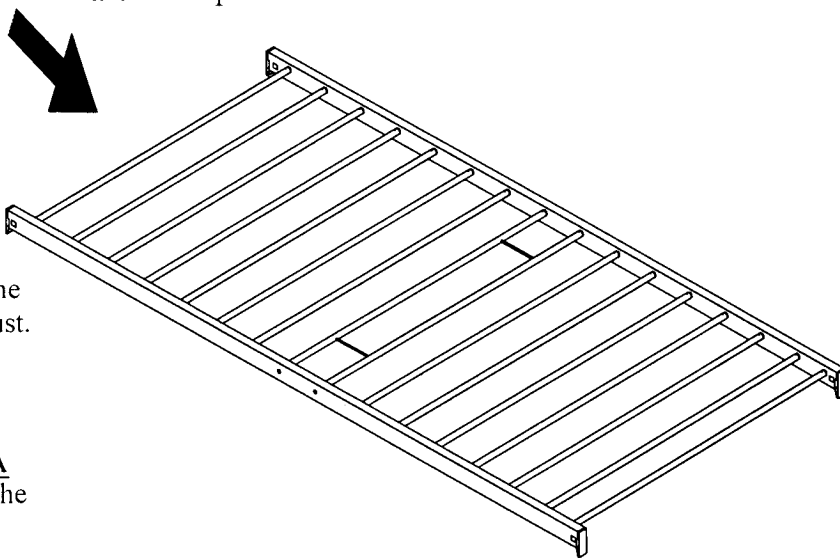
Approved by : *[Signature]*

AMELIA SINGLE BED - ASSEMBLY INSTRUCTION

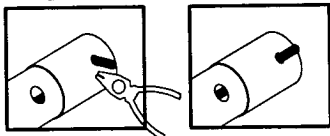
2



This button 73 is used to press down the wire and insert part D into part C, then release. After that remove the button 73 from part D. Repeat the same step for the other parts D.

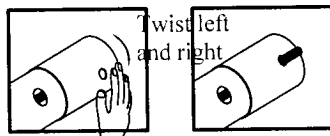


While assemble, if this pin does not come out, please follow the step below to adjust.



PICTURE A

Used plyer or finger to adjust the wire to the right position in picture A.

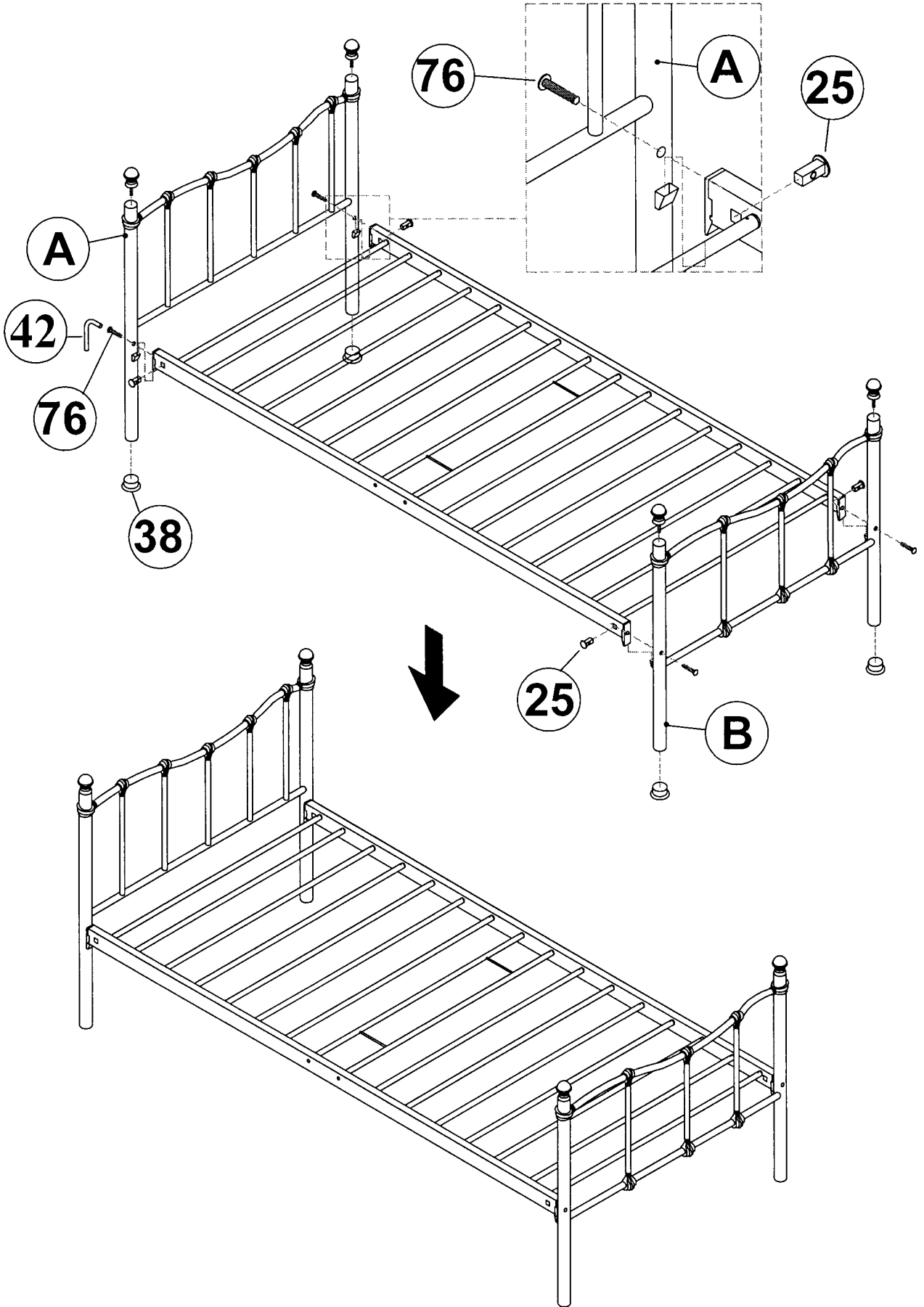


PICTURE B

Twist left and right until the wire out from the plastic hole, then adjust the wire to the right position in picture B.

AMELIA SINGLE BED - ASSEMBLY INSTRUCTION

3



Approved by : *Jasor*