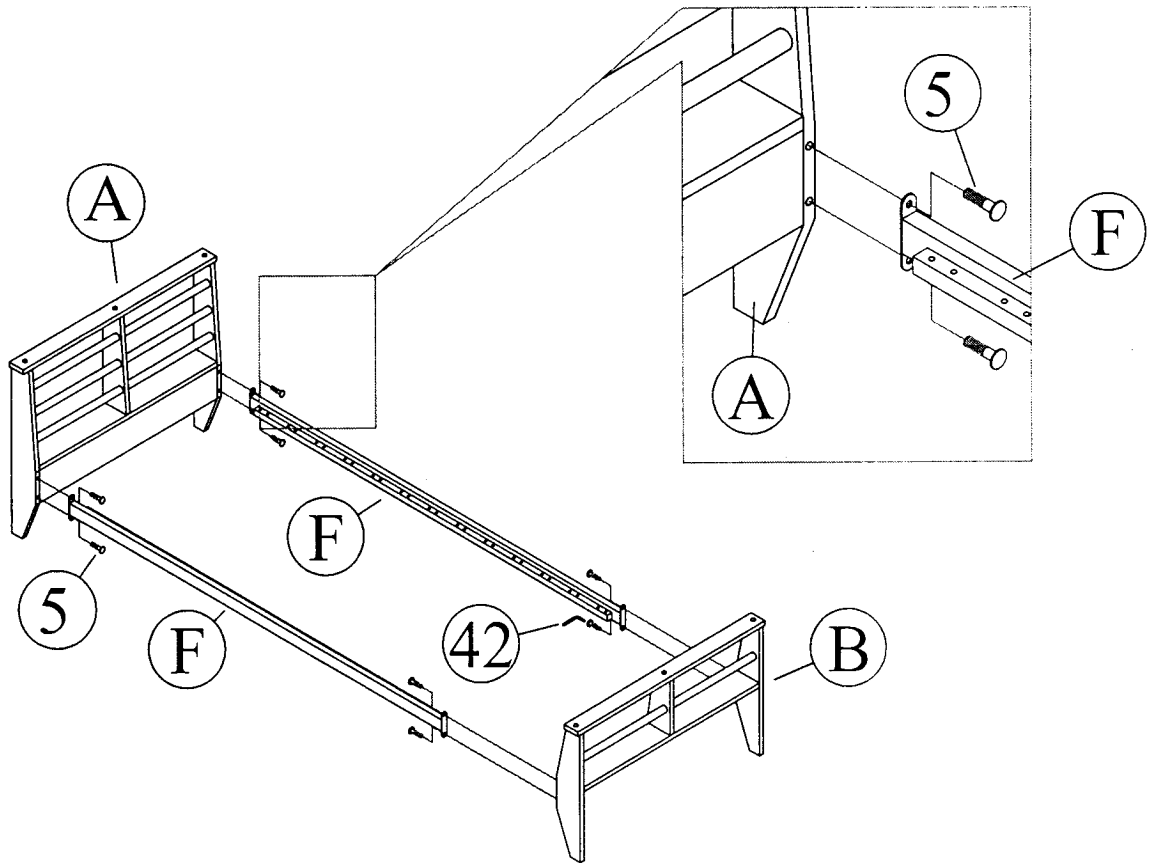
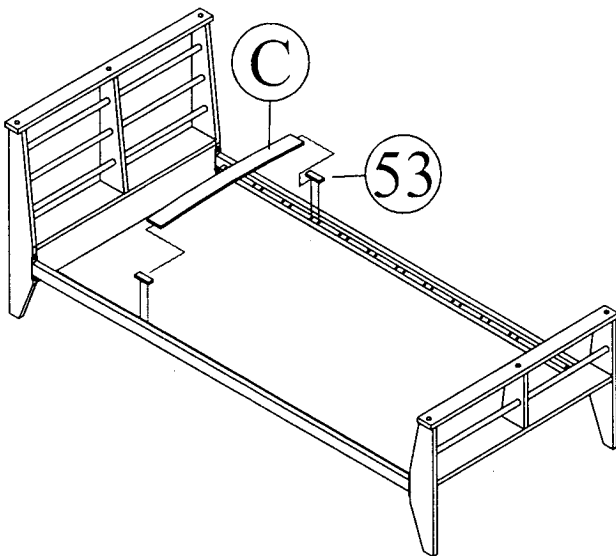


HANNAH SINGLE BED (Bentwood slat)- ASS. INSTRUCTION

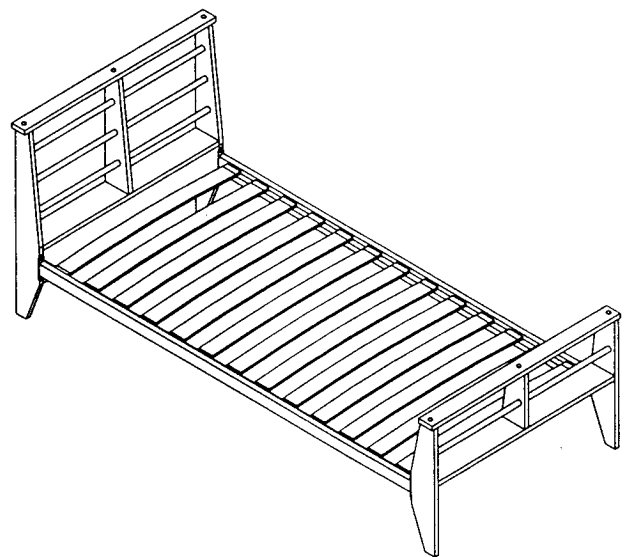
1



2



3



IF this product is not received in satisfactory condition, please contact your retailer immediately and retain all packaging in case of return.

All warranty will be void if packaging not retained.

Hannah Single Bed

Important

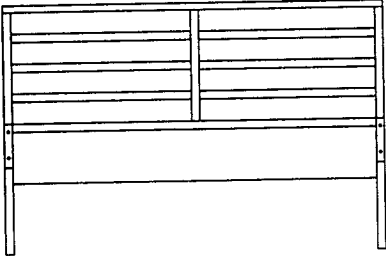
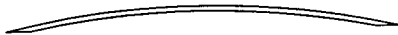
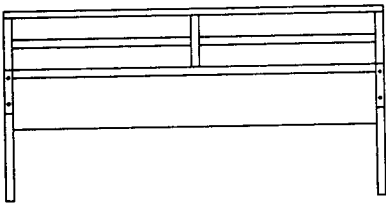
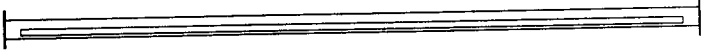
1- Because of the size of this unit we recommend that it is built in the room intend for use and that it is built by two people.

2- Please note top bunk bed is not recommended for children under six years old.

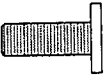
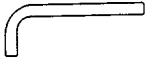

1. We suggest you spend a short time reading through this instruction and follow the sample step by step instruction.
2. Do not discard any of the packaging until you have checked that you have all the part and pack of fittings.
3. Assemble this product on a flat surface.
4. Assemble all parts loosely before tightening any bolts. Overtightening bolts or screws could damage this product or fitting.
5. Keep fitting out of reach of children.

Component parts and fittings contained in the box


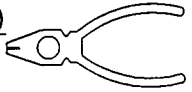
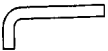
PARTS LIST

<p>A - 1 pc</p> 	<p>C - 13 pcs</p> 
<p>B - 1 pc</p> 	<p>F - 2 pcs</p> 

FITTINGS

<p>5. M8 x 25 - 8 Pcs.</p> 	<p>42. 1 Pc (M5).</p> 
<p>53. - 26 Pcs.</p> 	

TOOLS FOR ASSEMBLY

<p>Pozi driver (not provided)</p> 	<p>Pliers (not provided)</p> 	<p>Allen key (provided)</p> 
---	---	---

Assembly all parts loosely before tightening. Overtightening bolts or screws could damage this product or fitting.