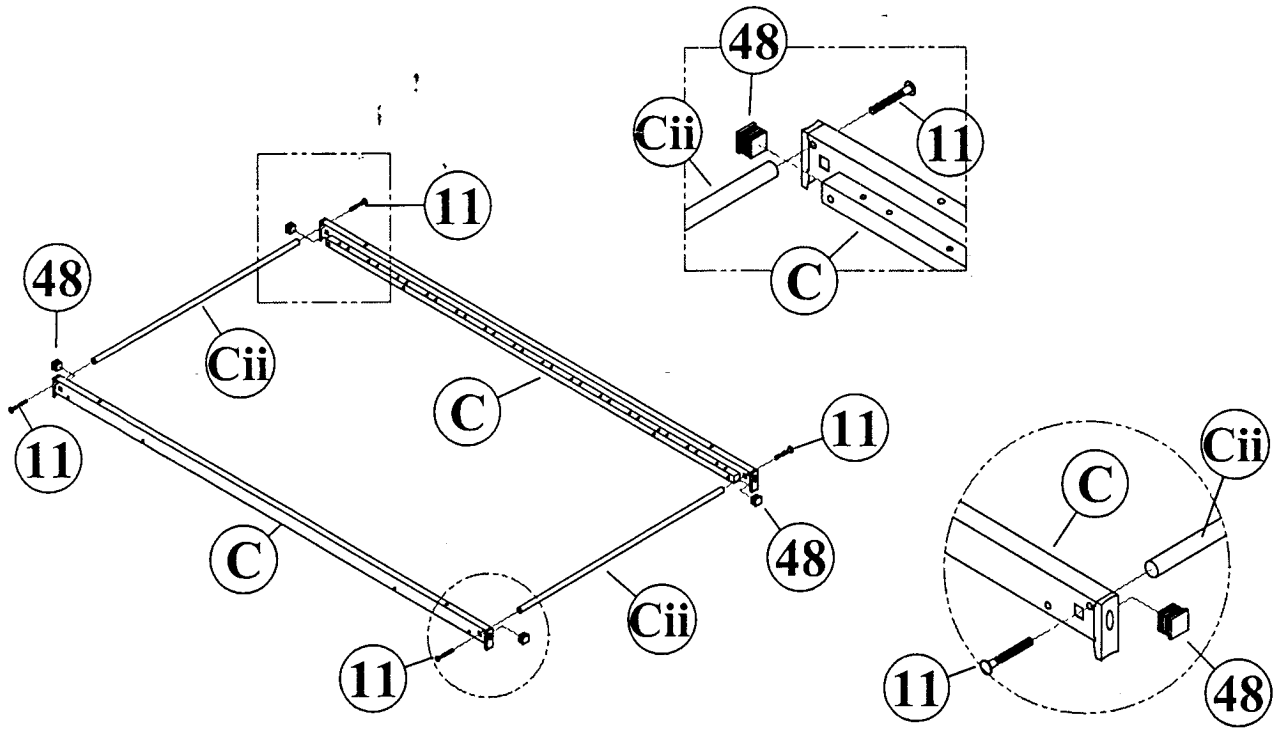
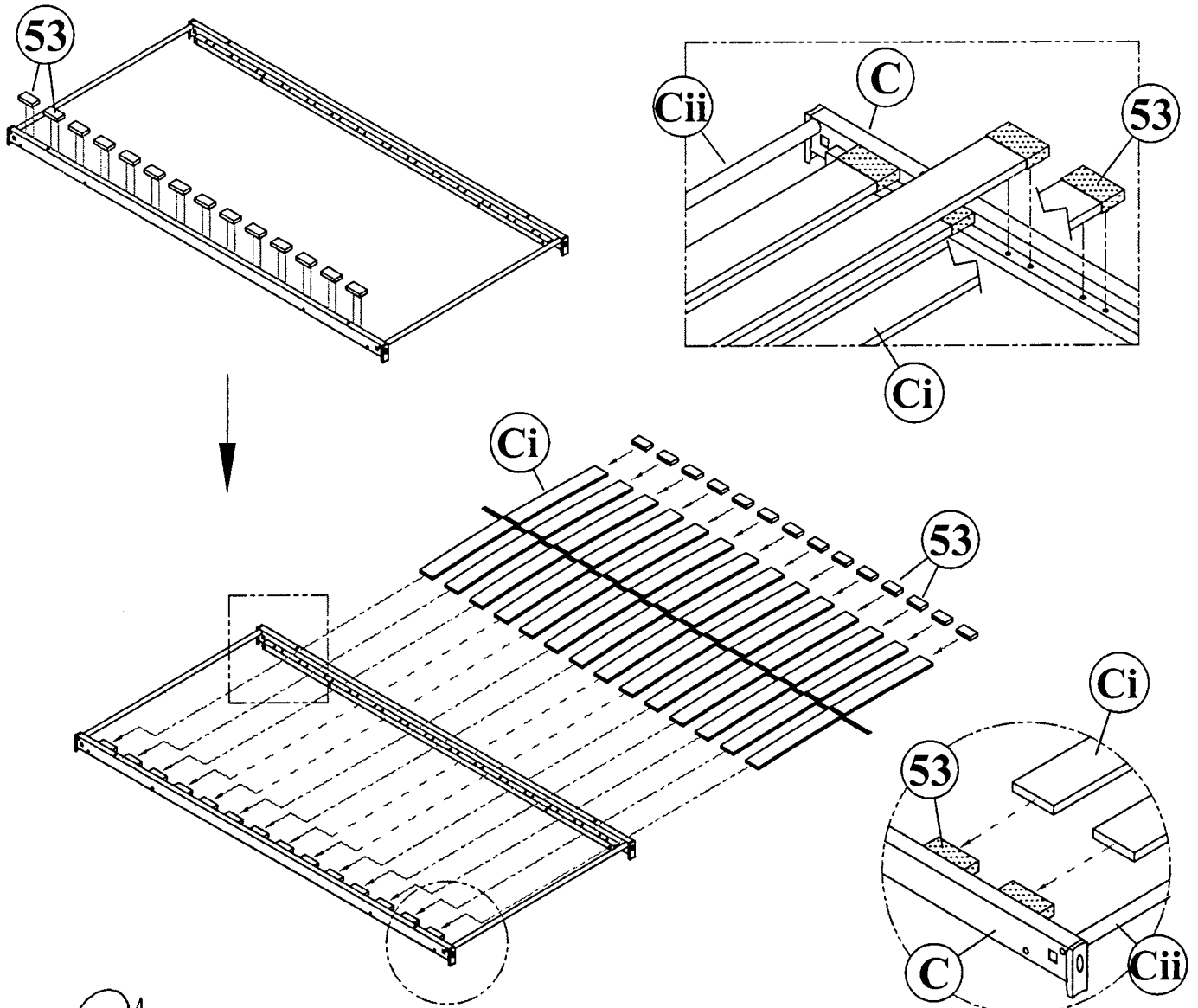



KD STUDIO SLEEPER - ASS. INSTRUCTION.

1



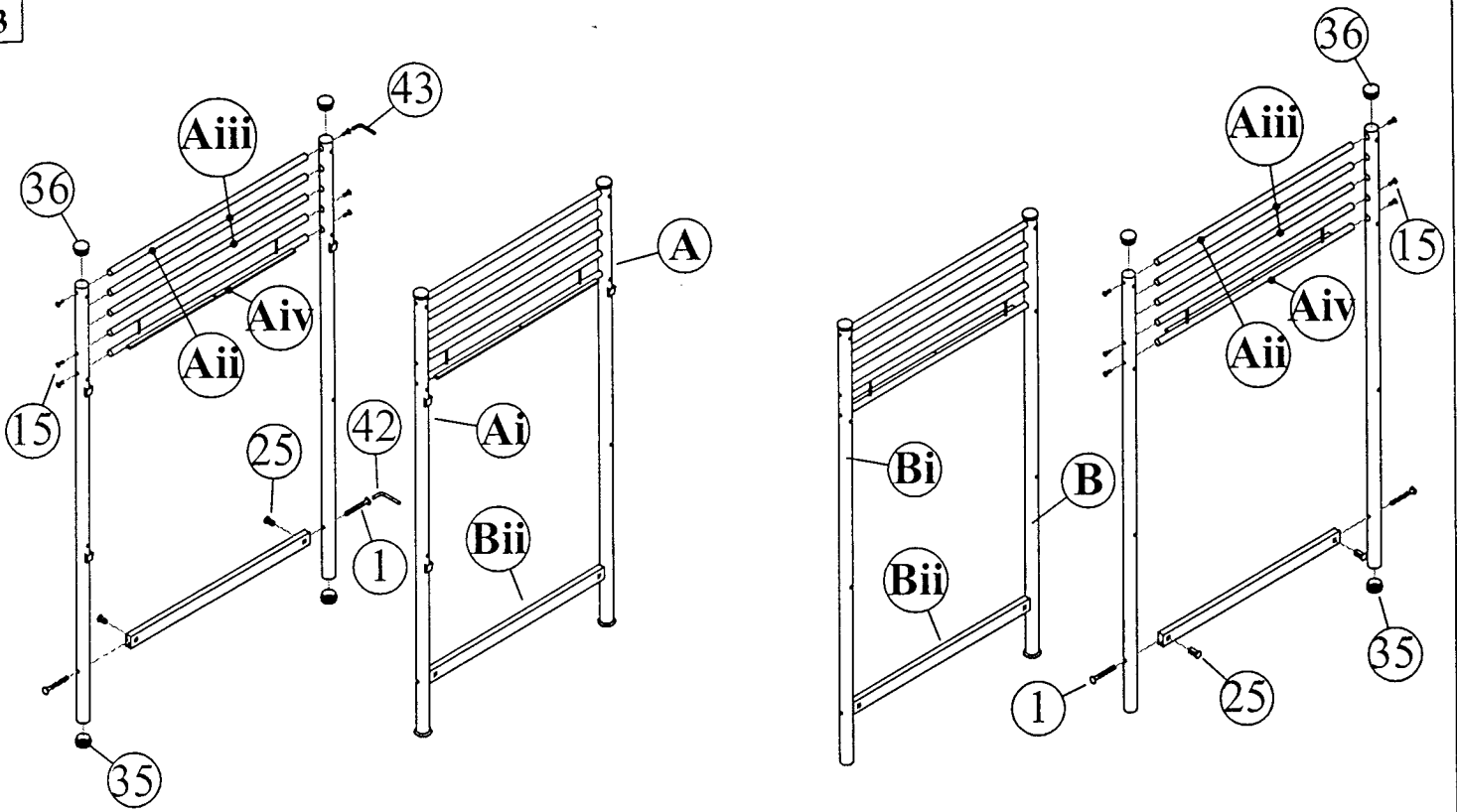
2



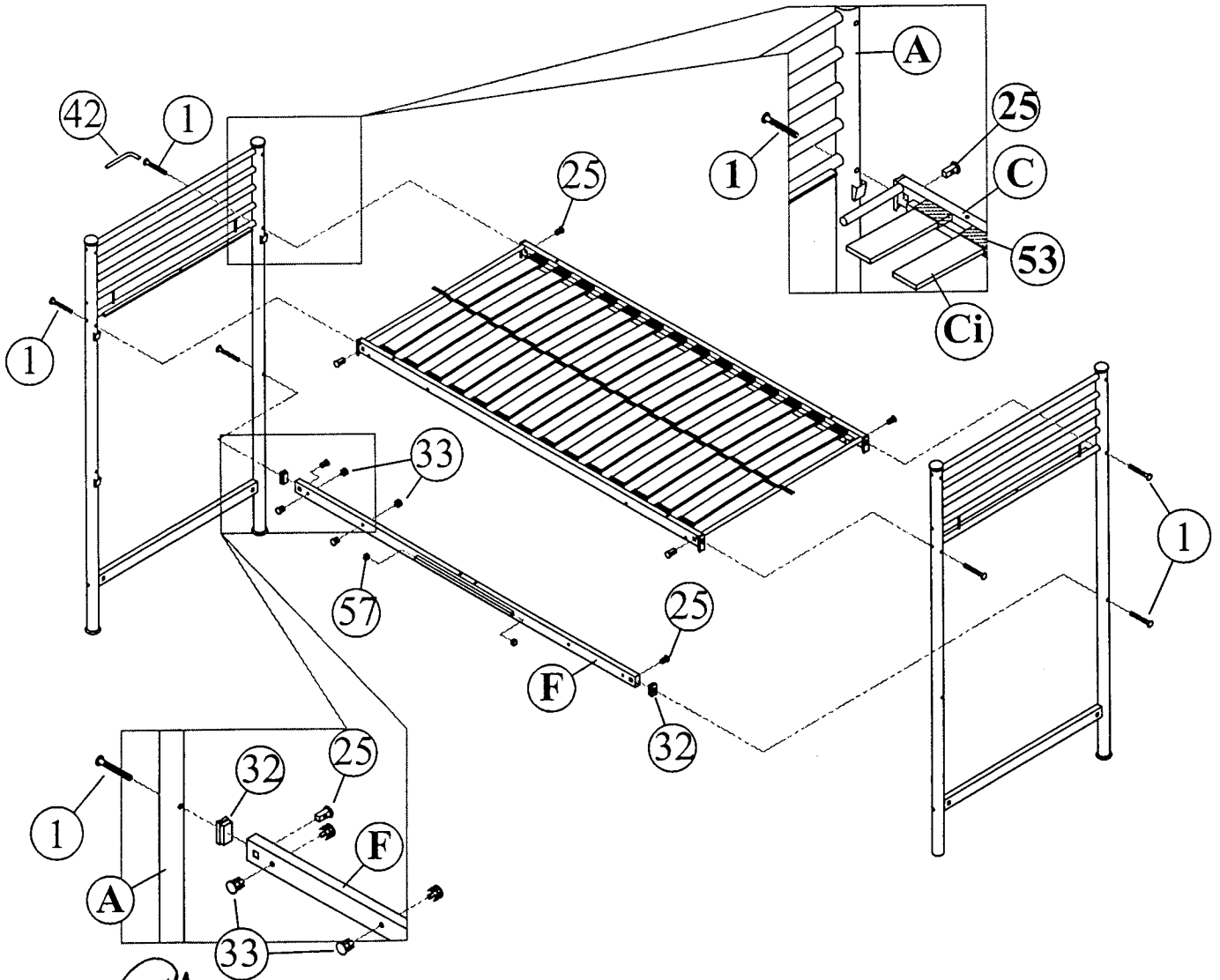
Approved by : 

KD STUDIO SLEEPER - ASS. INSTR.

3

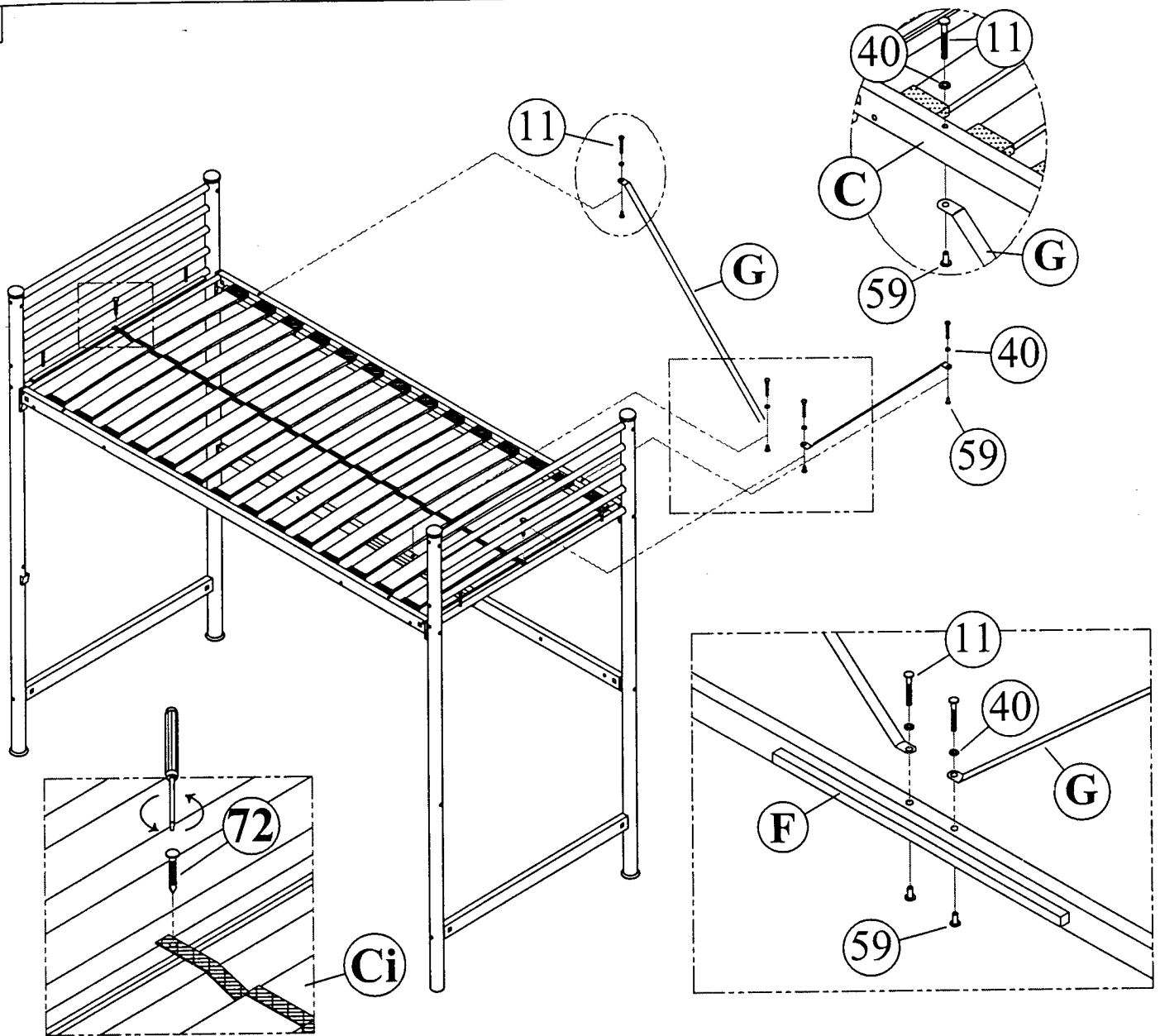


4

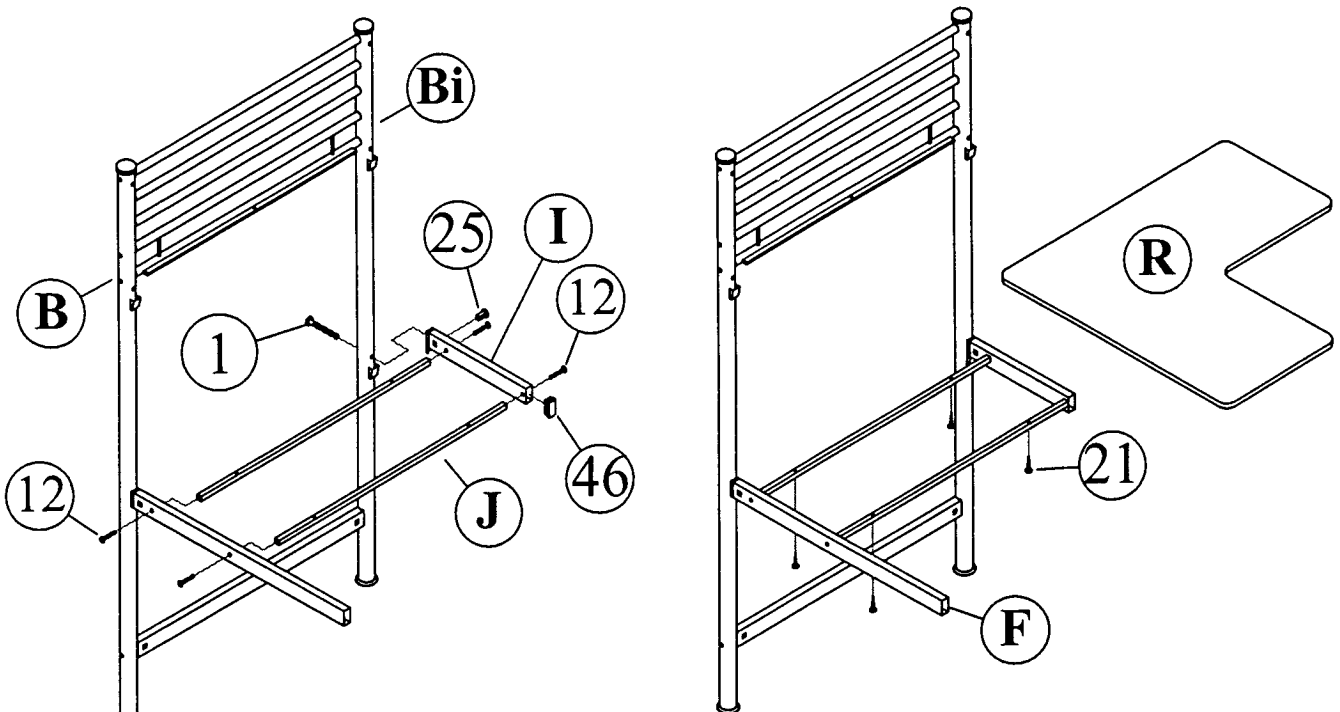


KD STUDIO SLEEPER - ASS. INSTR.

5

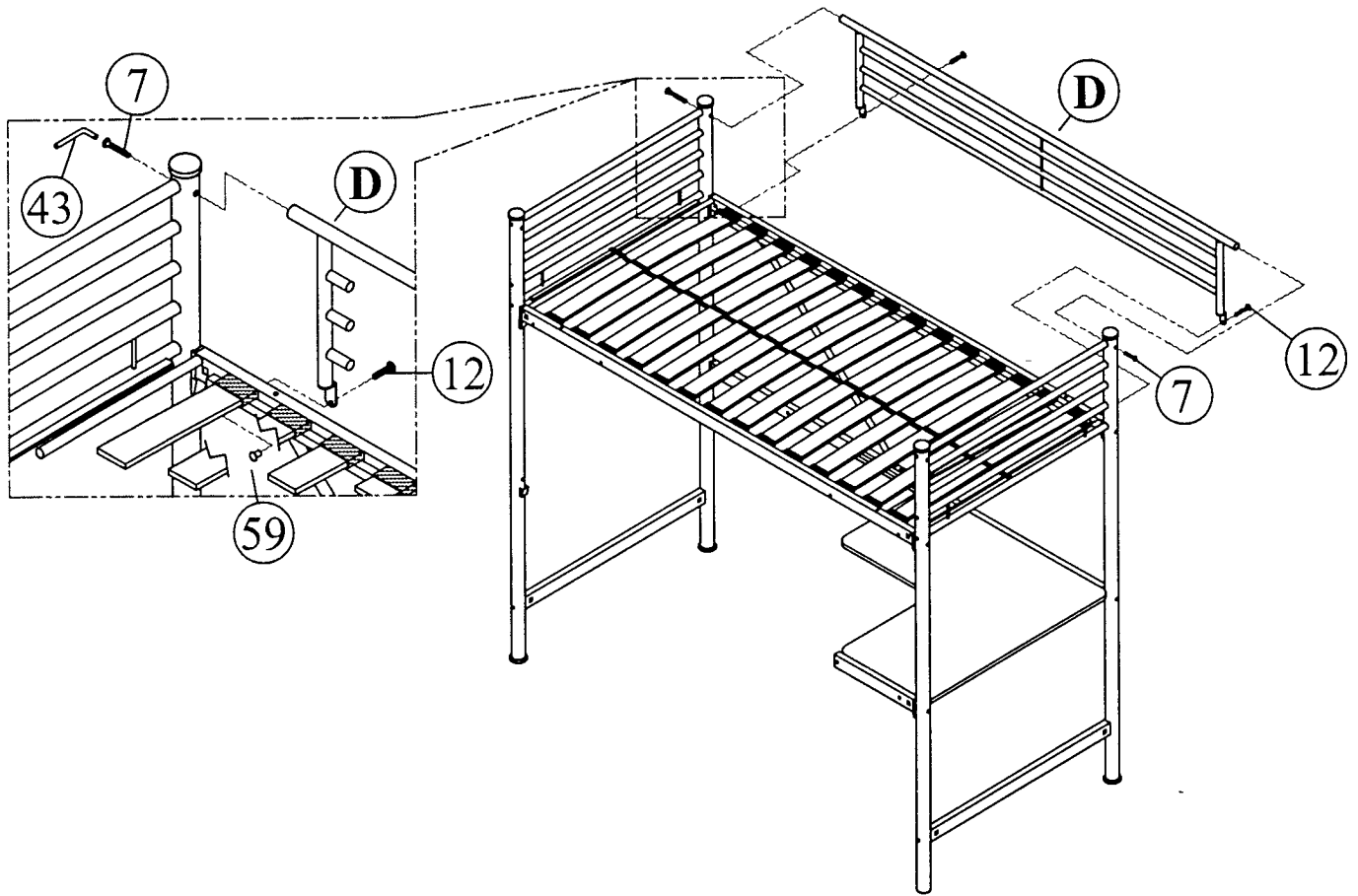


6

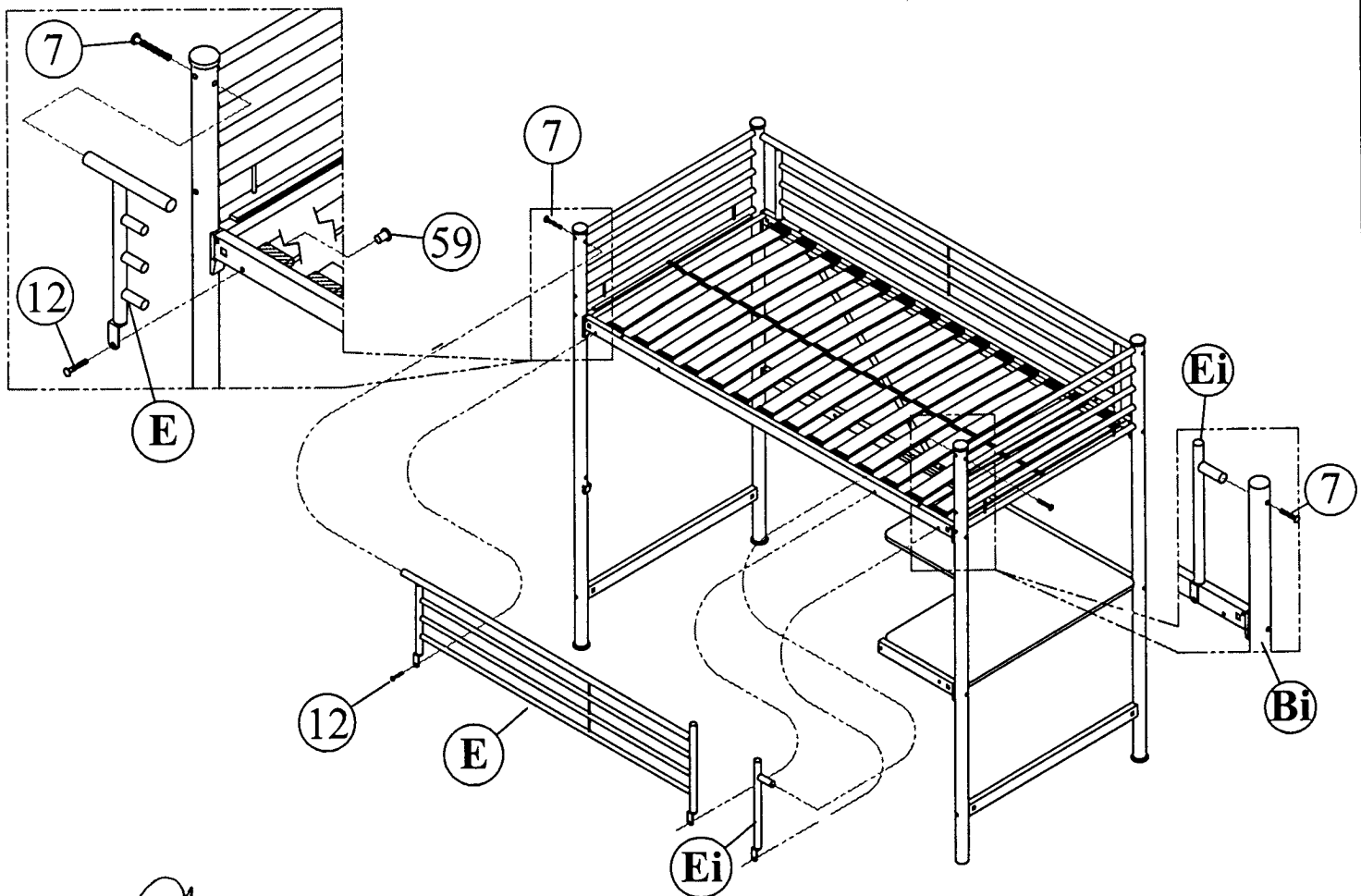


KD STUDIO SLEEPER - ASS. INSTR.

7

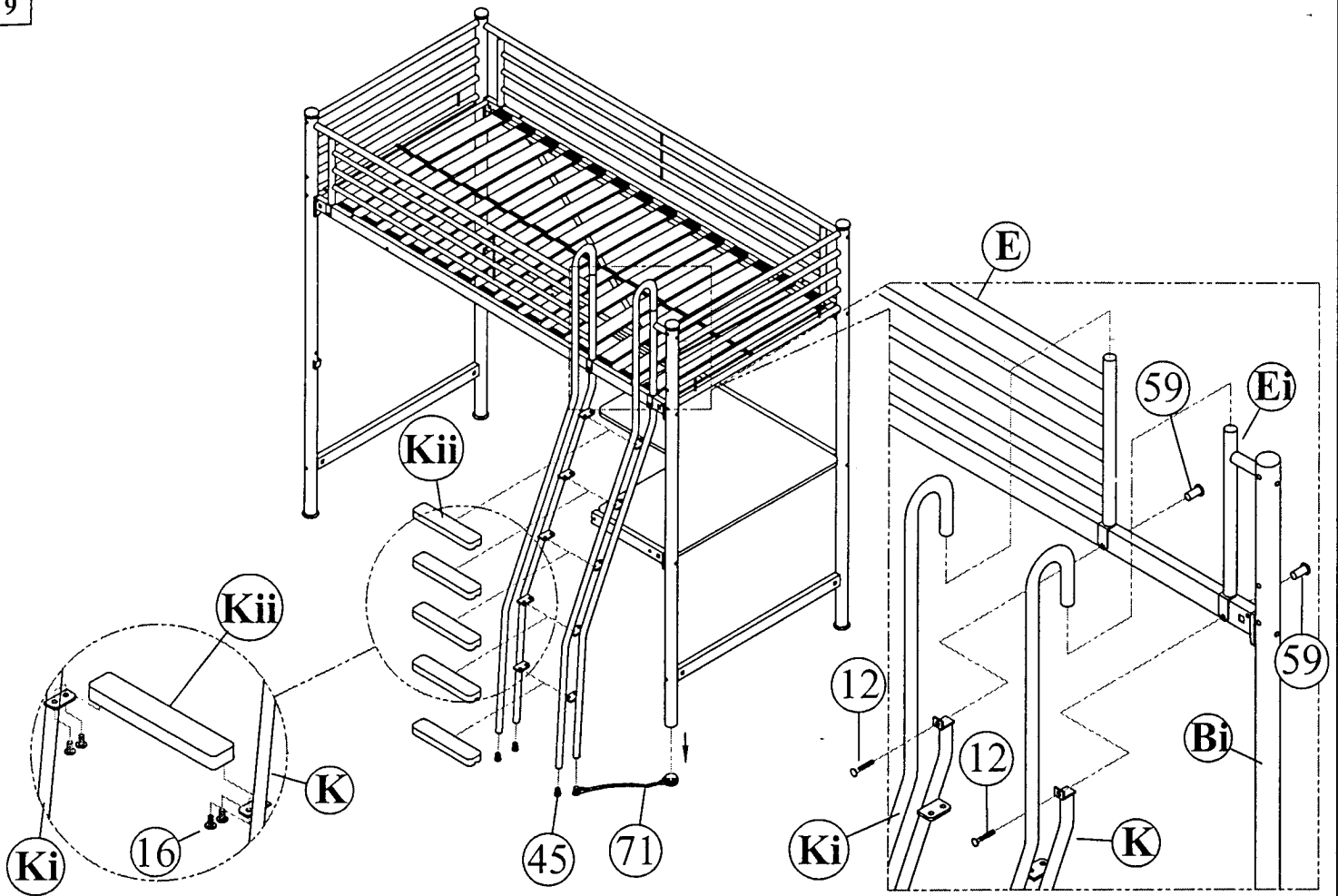


8



KD STUDIO SLEEPER - ASS. INSTR.

9

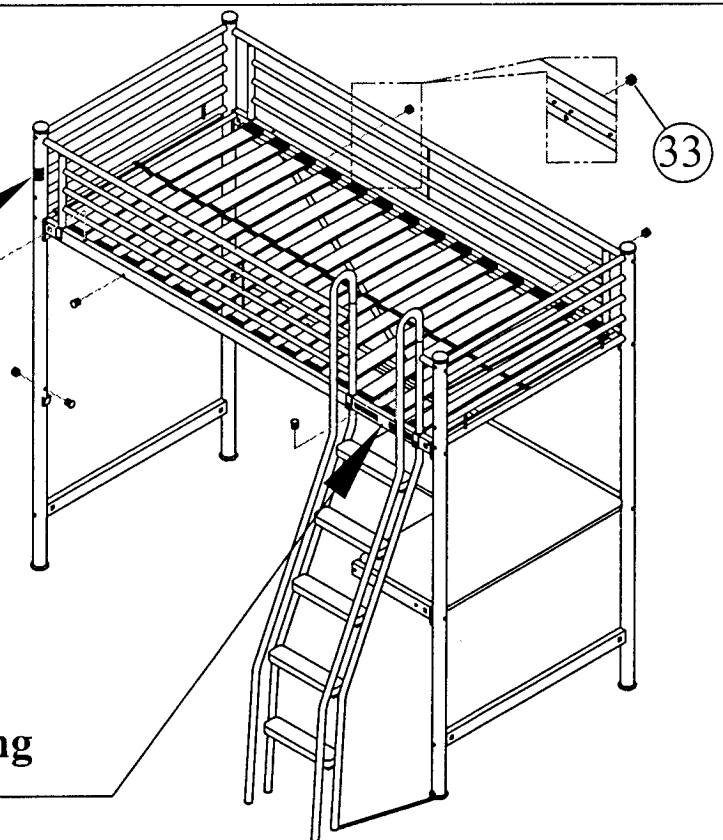


10

Important note

The mattress should not be above this max. mattress height.

Be aware of the danger of young children (under 6) falling from the upper bunk.



IF this product is not received in satisfactory condition, please contact your retailer immediately and retain all packaging in case of return.

All warranty will be void if packaging not retained.

KD STUDIO SLEEPER - ASS. INTR.

Important

- 1- Because of the size of this unit we recommend that it is built in the room intend for use and that it is built by two people.
- 2- Please note top bunk bed is not recommended for children under six years old.

1. We suggest you spend a short time reading through this instruction and follow the sample step by step instruction.
2. Do not discard any of the packaging until you have checked that you have all the part and pack of fittings.
3. Assemble this product on a flat surface.
4. Assemble all parts loosely before tightening any bolts. Overtightening bolts or screws could damage this product or fitting.
5. Keep fitting out of reach of children.

Component parts and fittings contained in the box

PARTS LIST

A - 1 pc. 	C - 2 pcs. 	F - 1 pc. 	
Ai - 1 pc. 	Ci - 1 pc. 	I - 1 pc. 	J - 2 pcs.
Aii - 2 pcs. 	D - 1 pc. 	K - 1 pc. 	
Aiii - 4 pcs. 		Ki - 1 pc. 	
Aiv - 2 pcs. 		Kii - 5 pcs. 	
B - 1 pc. 	E - 1 pc. 	G - 2 pcs. 	R - 1 pc.
Bi - 1 pc. 	Ei - 1 pc. 		
Bii - 2 pcs. 			

FITTINGS

1. - M8 x 95 - 11 pcs. 	15. - M6 x 25 - 12 pcs. 	32. - 2 pcs. 	43. M4 - 1 pc. 	57. - 2 pcs.
7. - M6 x 80 - 4 pcs. 	16. - M6 x 20 - 20 pcs. 	33. - 11 pcs. 	35. - 3 pcs. 	45. - 3 pcs.
11. - M6 x 50 - 8 pcs. 	21. - M4 x 32 - 4 pcs. 	36. - 4 pcs. 	40. - 4 pcs. 	46. - 1 pc.
12. - M6 x 45 - 9 pcs. 	25. - 11 pcs. 	42. M5 - 1 pc. 	48. - 4 pcs. 	53. - 28 pcs.
				59. - M6 x 20 - 9 pcs.
				71. - 1 pc.
				72. - M4 x 10 - 2 pcs.

TOOLS FOR ASSEMBLY

Pozi driver (not provided) 	Pliers (not provided) 	Allen key (provided)
--------------------------------	---------------------------	--------------------------