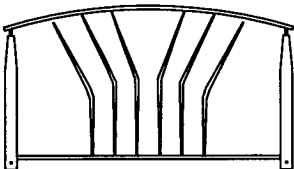

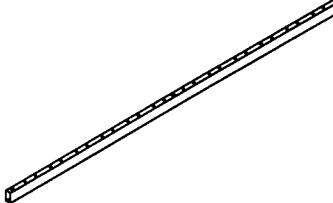
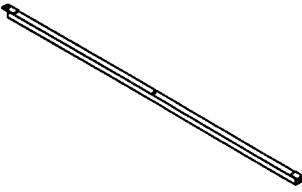
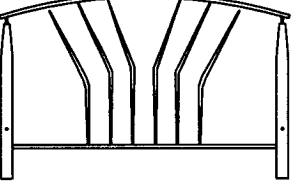

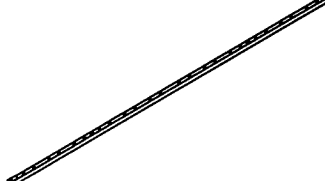
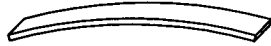







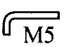


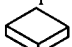


# PW 310 ( SOLAR 1 ) DOUBLE BED - ASSEMBLY INSTRUCTION

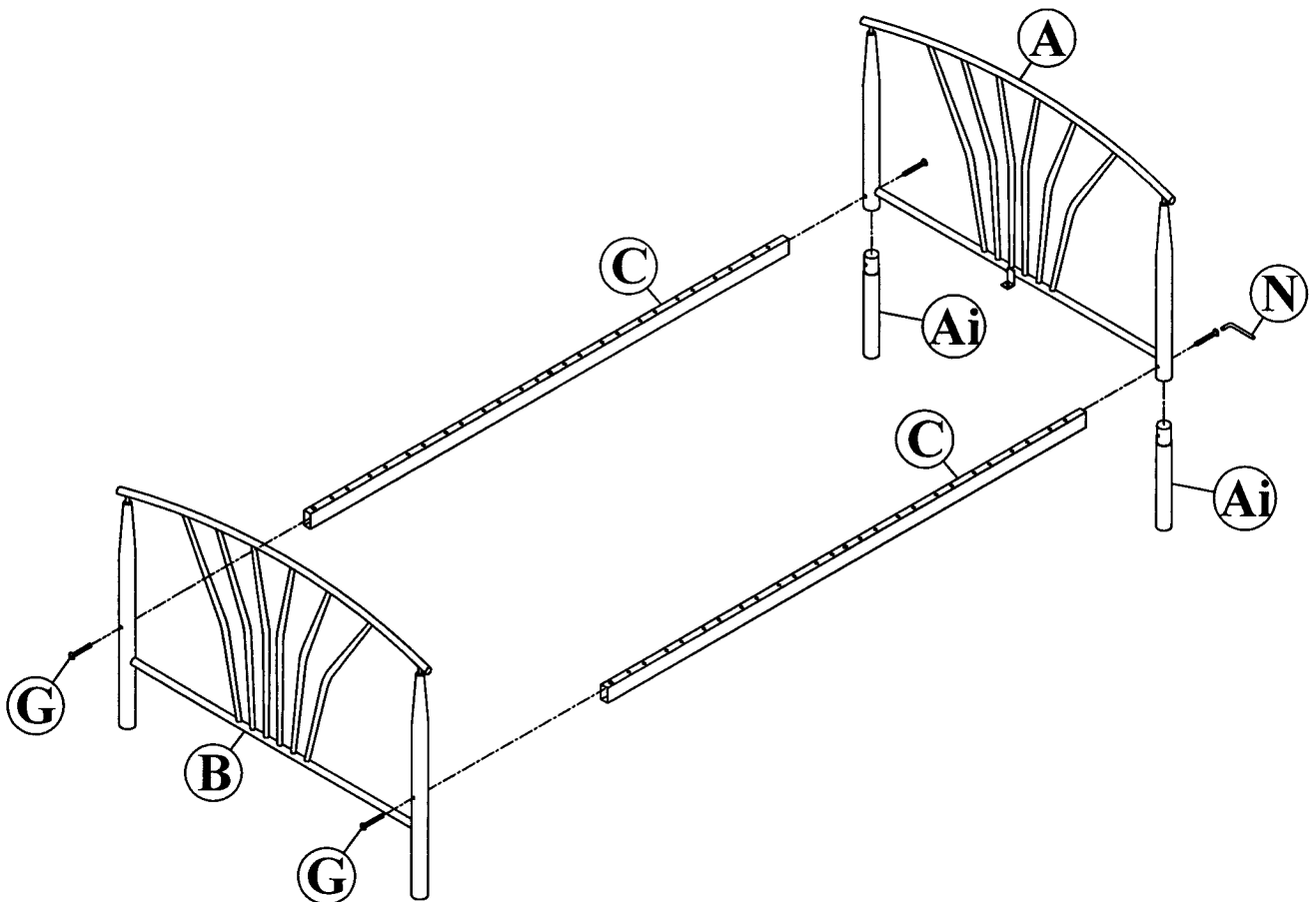
## PARTS LIST

A - 1 pc. 	Ai - 2 pcs. 	C - 2 pcs. 	E - 1 pc. 
B - 1 pc. 	Bi - 4 pcs. 	D - 1 pc. 	F - 24 pcs. 

## FITTINGS

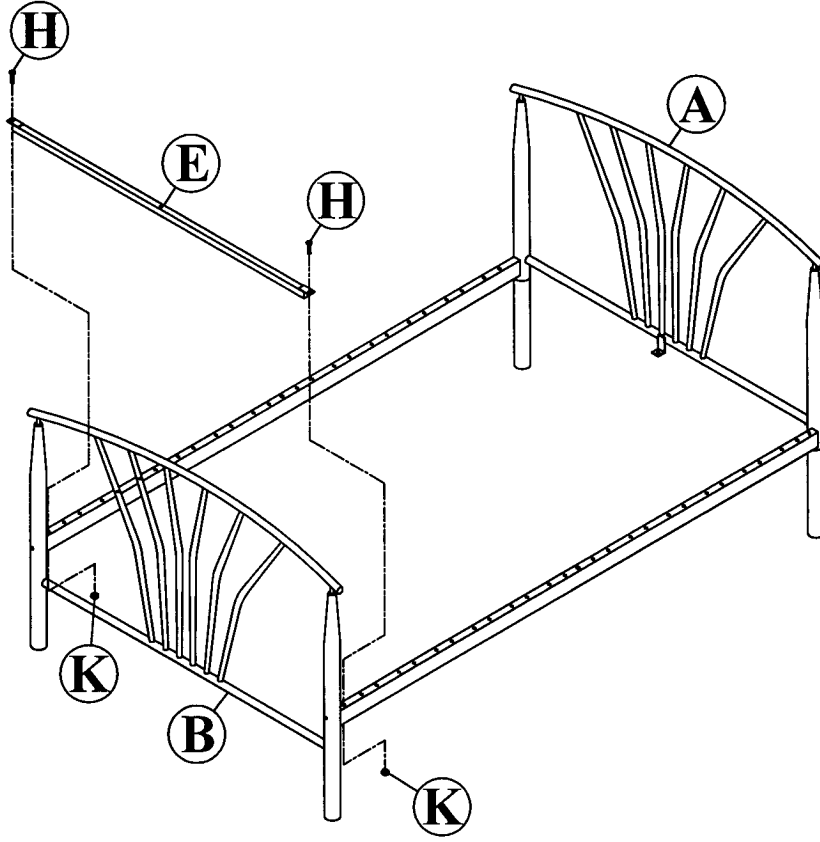
G - M8 x 70 - 4 pcs. 	H - M6 x 70 - 4 pcs. 	I - M6 x 35 - 2 pcs. 	J - 4 pcs. 	K - 4 pcs. M6 
L - 6 pcs. $\varnothing 19$ 	M - 4 pcs. $\varnothing 38$ 	N - 1 pc. 	Ni - 1 pc. 	O - 24 pcs.  Oi - 12 pcs. 

**1**

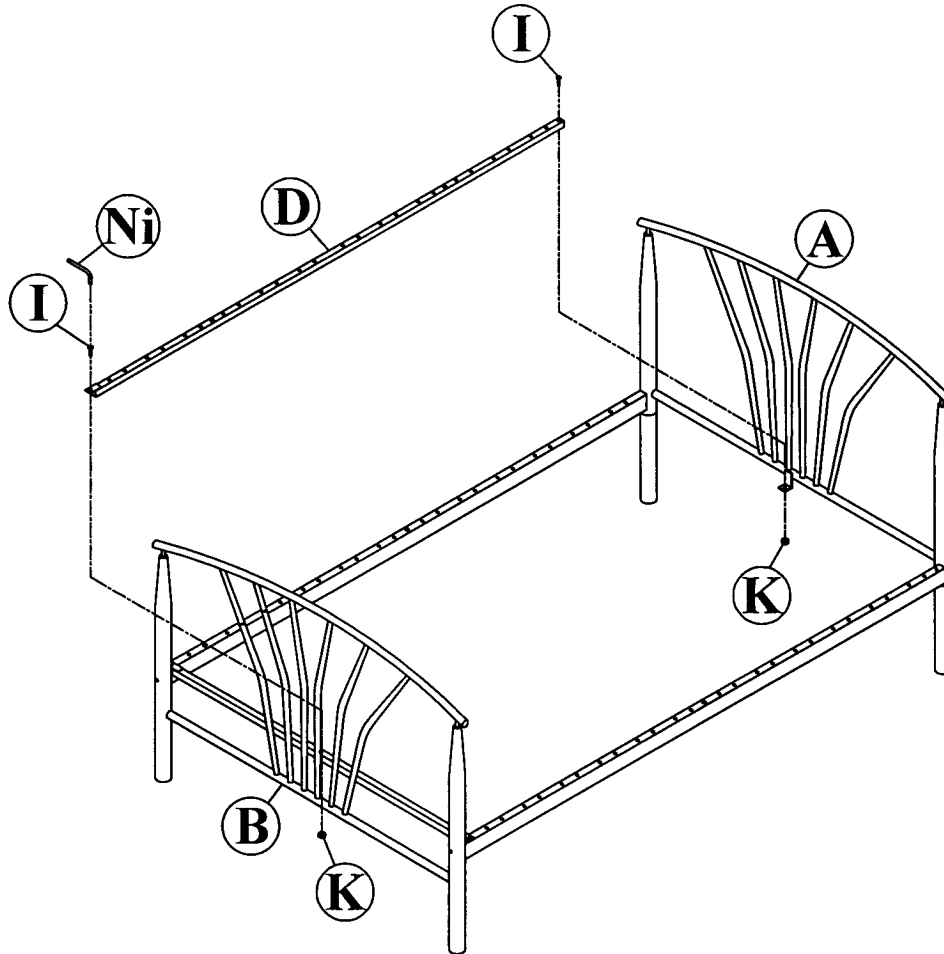


# PW 310 ( SOLAR 1 ) DOUBLE BED - ASSEMBLY INSTRUCTION

2

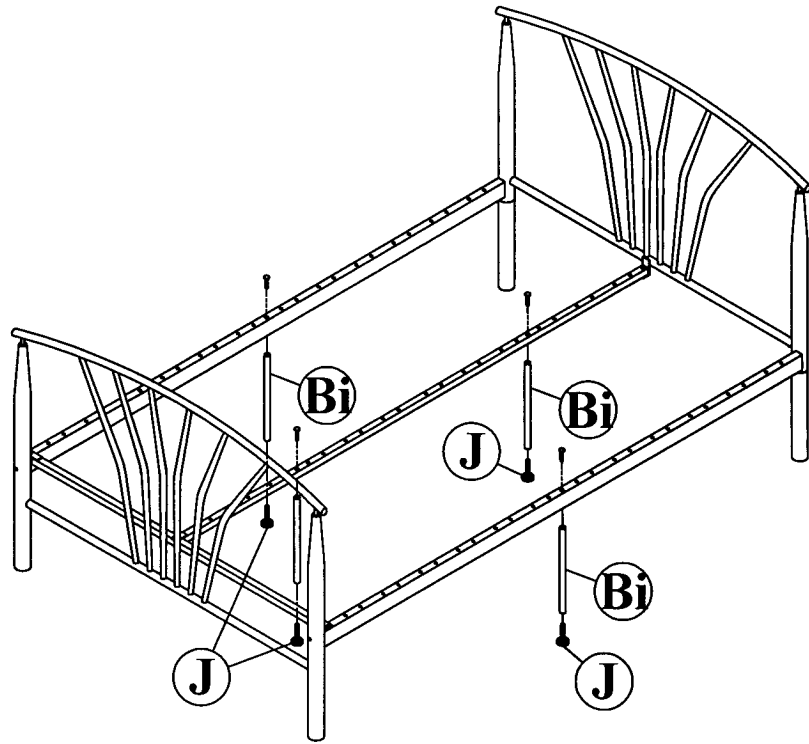


3

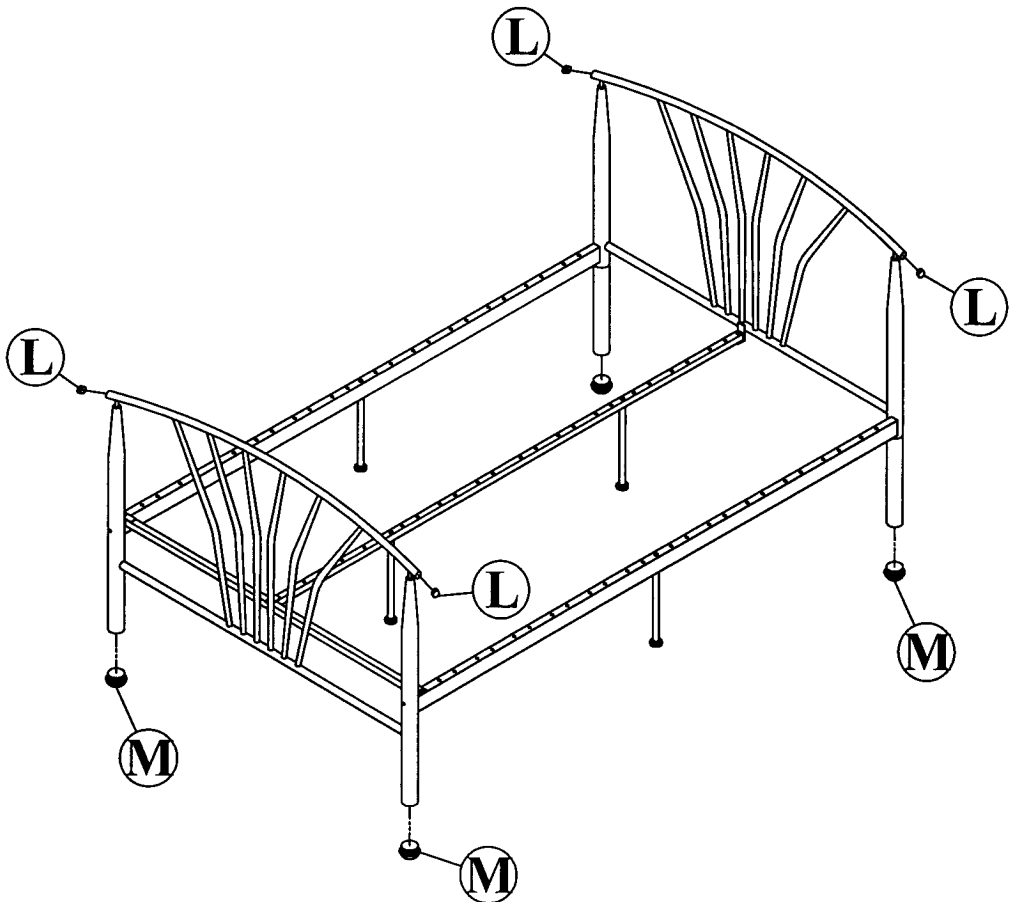


# PW 310 ( SOLAR 1 ) DOUBLE BED - ASSEMBLY INSTRUCTION

4

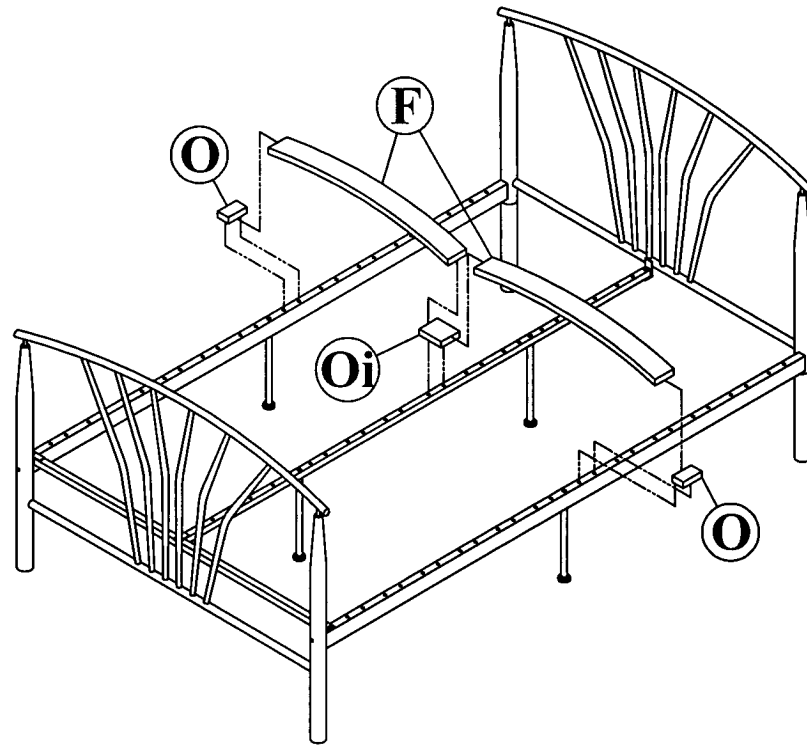


5



# PW 310 ( SOLAR 1 ) DOUBLE BED - ASSEMBLY INSTRUCTION

6



7

